

Mini free-standing Beacons / Permanent Light 210
Permanent Beacon BM 12-230VAC/DC GN



Part No.: 210.200.00



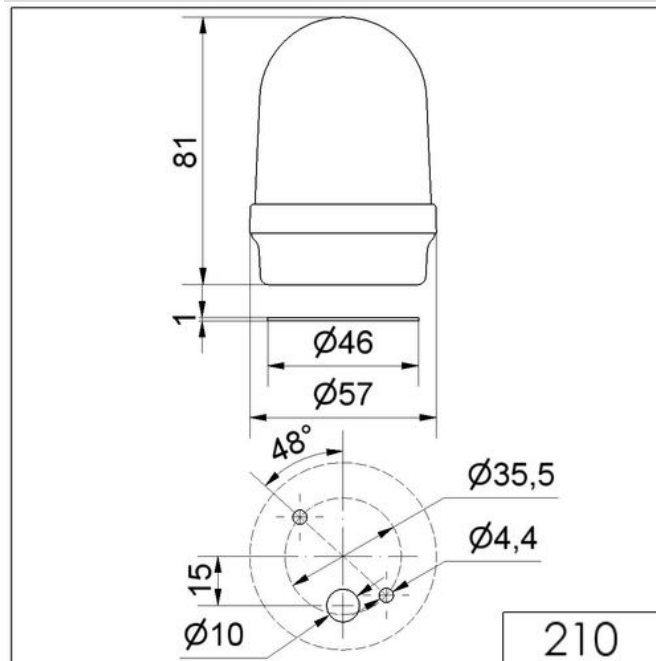
MECHANICAL DATA	
Height	81 mm
Diameter	57 mm
Materials	PA-GF PC
Dome colour	Green
Housing colour	Black
Protection category	IP65
Connection	Spring-type terminal
cross-sectional area maximum	2,50mm ² / 14AWG
Cable entry	Through hole
Cable entry maximum	d = 10 mm
Type of fixing	Base mounting
Service life optical	depends on bulb
Working temperature minimum	-20°C
Working temperature maximum	+50°C
Weight with packaging	53 g
Product weight	53 g
ELECTRICAL DATA	
Operating voltage	12-230V
Operating voltage type	AC/DC
Rated inrush current	500 mA
OPTICAL DATA	
Light colour	Green



For additional installation and mounting information, refer to the appropriate user guide at www.werma.com. This printed copy is for information only and is subject to alteration.

Mini free-standing Beacons / Permanent Light 210
Permanent Beacon BM 12-230VAC/DC GN

DRAWING



For additional installation and mounting information, refer to the appropriate user guide at www.werma.com. This printed copy is for information only and is subject to alteration.